

DATA SHEET

# ST 50

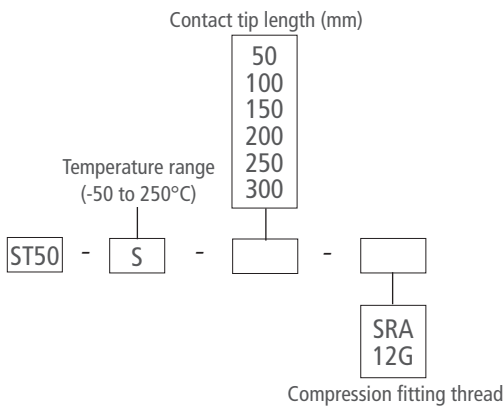
## Temperature probe with standard head and resistive element



Laboratory or on-site calibration options available

### Part number

To order, just add the codes to complete the part number.



Example: ST50-S-100-12G  
 Model: Class A temperature probe, 3 wires. Stainless steel contact tip  $\varnothing 6$  mm, 100 mm length, with a 1/2" thread plug.  
 Measuring range from -50 to +250°C.

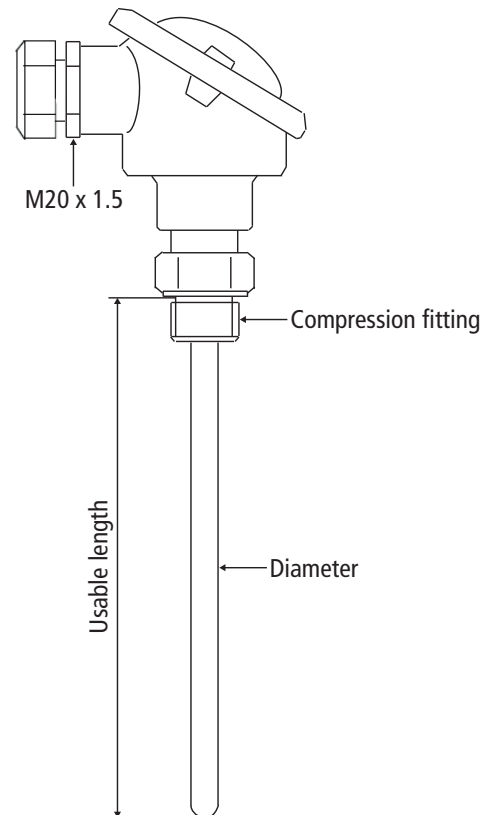
### Technical features

Operating temperature	From -50°C to +250°C (Pt100)
Accuracy	As per DIN IEC 751 (see table page 2)
Type of sensor	Pt100: class A as per DIN IEC 751
Response time* $T_{63}$	8 seconds
Mounting of the element	3 wires
Contact tip	316 L stainless steel
Fitting process connection	316 L stainless steel
Thread	With or without, 1/2 male BSP
Electrical connection	With terminal block, 4/20 mA transmitter as option
Connection head	Aluminium alloy Cable gland: M20 x 1.5 IP65 protection

Storage temperature From -20°C to +80°C

\*Response time carried out in a heated bath.

### Probe dimensions (mm)



## Tolerances of Pt100 probes as per DIN IEC 751

Temp °C	Tolerances (class A)	
	± °C	± Ohms
-100	0.35	0.14
-50	0.25	0.1
0	0.15	0.06
100	0.35	0.13
200	0.55	0.2
300	0.75	0.27
400	0.95	0.33

## Accessories (see specific data sheet)

- Transmitter output 4/20 mA
- Mounting support
- Thermo-conducting silicone grease
- Calibration certificate
- Thermowells