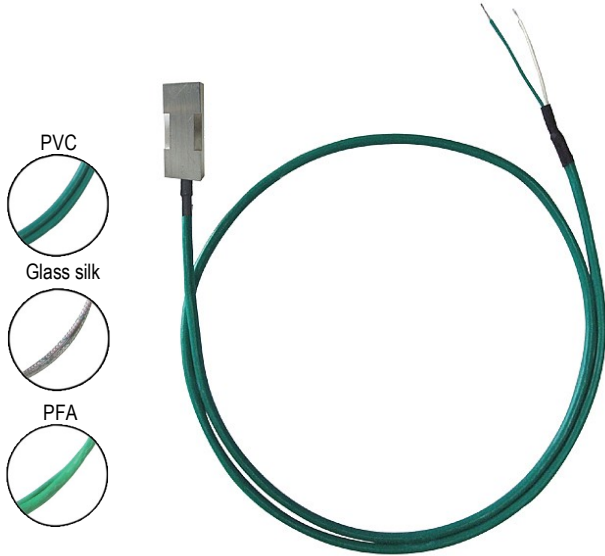


Thermocouple probe with cable for pipe

SFCT K



Supplied with adjustable ring of 100 mm Ø

PROBE FEATURES

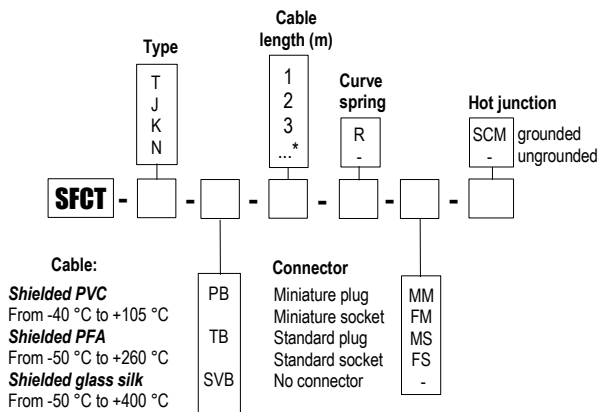
- Thermocouple types T, J, K and N.
- Measuring range from **-40 °C to +550 °C**
- With contact end for pipe (all diameters)

TECHNICAL FEATURES

Operating temperature	From -40 °C to +105 °C for shielded PVC cable From -40 °C to +260 °C for shielded T cable From -40 °C to +400 °C for shielded SV cable From -40 °C to +550 °C for shielded SV cable (Tc K only)
Accuracy* for class 1	See "Tolerances" table
Welding type	Default ungrounded hot junction For grounded hot junction, SCM must be added at the end of the part number.
Storage temperature	From -20 °C to +80 °C
Contact tip	40 x 16 x 8.5 mm V shape Screw fastener made of AU4G (aluminium)
Connection	Supplied with stainless steel adjustable ring for DN 100. Other adjustable ring available on request

* Performed in laboratory conditions, the above accuracies mentioned in this document will be guaranteed, provided that you use the calibration compensation data or identical calibration conditions.

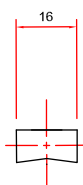
PART NUMBERS



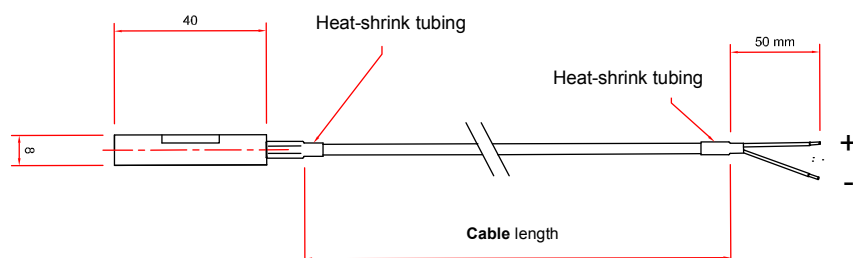
* Other dimensions available on request

PROBE DIMENSIONS

Front view



Side view



TOLERANCES* OF THE PROBE

As per IEC 584-3 norm

TC	Measuring range CLASS 1	TOLERANCE
T	From -40 °C to +350 °C	From -40 °C to +125 °C ± 0.5 °C From 125 °C to +350 °C $\pm 0.004 \times T$ °
J	From -40 °C to +750 °C	From -40 °C to +375 °C ± 1.5 °C From 375 °C to 750 °C $\pm 0.004 \times T$ °
K	From -40 °C to +1000 °C	From -40 °C to +375 °C ± 1.5 °C From 375 °C to 1000 °C $\pm 0.004 \times T$ °
N	From -40 °C to +1000 °C	From -40 °C to +375 °C ± 1.5 °C From 375 °C to 1000 °C $\pm 0.004 \times T$ °

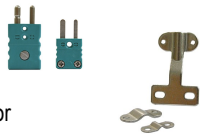
* Performed in laboratory conditions, the above accuracies mentioned in this document will be guaranteed, provided that you use the calibration compensation data or identical calibration conditions.

MOST COMMON THERMOCOUPLE TYPES

THERMOCOUPLE TYPES	+ CONDUCTOR	- CONDUCTOR	COLOR OF COMPENSATING CABLE
K	Chromel	Alumel	Ext. color + = GREEN, - = WHITE
T	Copper	Constantan	Ext. color + = BROWN, - = WHITE
J	Iron	Constantan	Ext. color + = BLACK, - = WHITE
N	Nicrosil	Nisil	Ext. color + = PINK, - = WHITE
R	Platinum-13% Rhodium	Platinum	Ext. color + = ORANGE, - = WHITE
S	Platinum-10% Rhodium	Platinum	Ext. color + = ORANGE, - = WHITE
B	Platinum-30%Rhodium	Platinum- 6%Rhodium	Ext. color + = GREY, - = WHITE

ACCESSORIES (SEE DATASHEET)

- Extension cable
- Compensating cable
- Standard or miniature connector
- Cable seal for plug and socket connector



- Miniature or standard fixed connector
- Miniature or standard connectors panel
- Extension lead
- Converters



www.kimo.fr

Distributed by :



EXPORT DEPARTMENT
Tel : + 33. 1. 60. 06. 69. 25 - Fax : + 33. 1. 60. 06. 69. 29
e-mail : export@kimo.fr