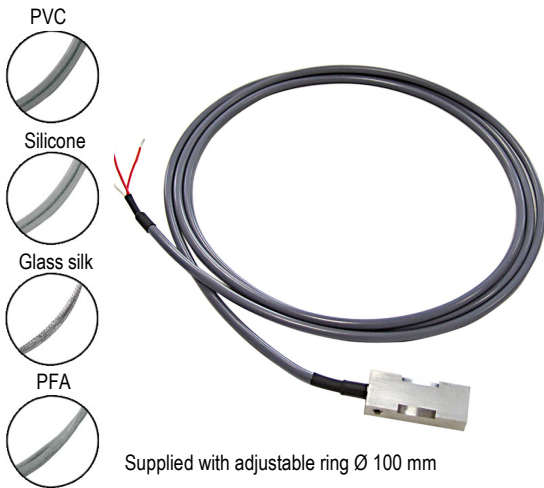


Temperature probe with cable for pipe

SFCT50 / SFCTD50

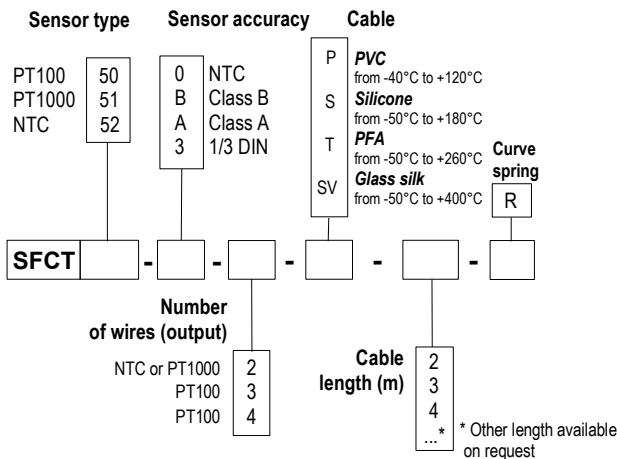
- Temperature probe with contact tip for pipe (all diameter).
- Measuring range (according to cable)
 - From **-50 °C to +400 °C (PT100 and PT1000)**.
 - From **-20 °C to +120 °C (NTC)**.
- 2 wires for NTC and PT1000 outputs, 3 or 4 wires for PT100 output.
- For other resistance types PT25, PT50, PT500, PT200 or NI, please contact us.



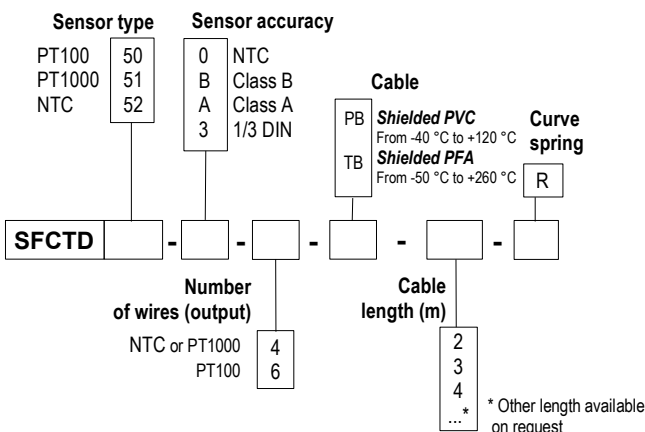
Supplied with adjustable ring Ø 100 mm

PART NUMBERS

• SFCT – Single pair probe



• SFCTD – Multipair Probe



TRANSMITTER FEATURES

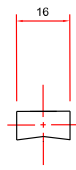
Operating temperature (According to cable)	For SFCT type From -50 °C to +400 °C (PT100 and PT1000) From -20 °C to +120 °C (NTC) For SFCTD type From -50 °C to +250 °C (PT100 and PT1000) From -20 °C to +120 °C (NTC)
Accuracy*	PT100 or PT1000: see "Tolerances" table NTC: see "Tolerances" table
Sensor type of sensor	PT100 or PT1000: Class B, Class A and 1/3 DIN as per DIN IEC751 NTC: resistance at 25 °C, $R_{25} = 10\text{ K}\Omega$ Nominal Beta value B25/85 = 3.695K ±1%
Contact tip	40 x 16 x 8.5 mm V shape Screw fastener made of AU4G (aluminium)
Connection	Supplied with stainless steel adjustable ring for DN 100. Other adjustable ring available on request
Operating temperature of cable	PVC: from -40 °C to +120 °C Silicone: from -50 °C to +180 °C PFA: from -50 °C to +260 °C Glass silk with stainless steel sheet: from -50 °C to +400 °C



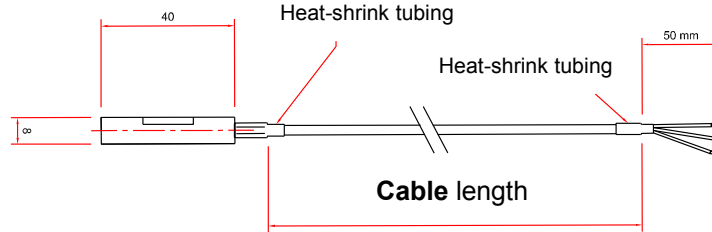
**Wire mounting: single pair 2, 3 or 4 wires
multipair 4 or 6 wires**
Storage temperature: from -20 °C to +80 °C

PROBES DIMENSIONS

Front view



Side view



TOLERANCES* OF PT100 AND PT1000 PROBES

Norm as per IEC 751 (1993).

Temp °C	Tolerances					
	Class B		Class A		1/3 DIN	
	± °C	± Ohms	± °C	± Ohms	± °C	± Ohms
-100	0.8	0.32	0.35	0.14	0.27	0.11
-50	0.55	0.22	0.25	0.1	0.19	0.08
0	0.3	0.12	0.15	0.06	0.1	0.04
100	0.8	0.3	0.35	0.13	0.27	0.1
200	1.3	0.48	0.55	0.2	0.44	0.16
300	1.8	0.64	0.75	0.27	0.6	0.21
400	2.3	0.79	0.95	0.33	0.77	0.26

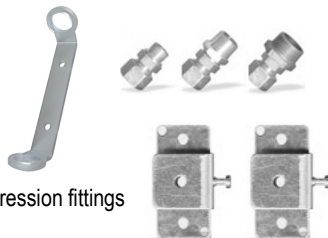
*Resistance values for PT1000 (Ω) must be multiplied by 10 for the same corresponding temperature value (°C). I.e: at 0 °C for Class B PT1000 ± 0.3 °C → ± 1.2 Ω

TOLERANCE* OF NTC PROBES

Measuring range °C	Tolerances °C
From -20 °C to 0 °C	± 0.5 °C
From 0 °C to +70 °C	± 0.2 °C
From +70 °C to +100 °C	± 0.5 °C

ACCESSORIES (SEE RELATED DATASHEET)

- Transmitter output 4/20 mA or 0/10 V
- Wall mounting support
- Stainless steel mounting brackets
- ¼" or ½" Gas screw nut
- Stainless steel compression fitting
- PTFE or stainless steel ferrule for compression fittings



- Sleeve to weld for food industry
- Stainless steel junction fitting
- ½" Gas or NPT thread cuff
- Thermo-conducting silicone grease
- Calibration certificate
- Thermowell



www.kimo.fr

Distributed by :



EXPORT DEPARTMENT
Tel : + 33. 1. 60. 06. 69. 25 - Fax : + 33. 1. 60. 06. 69. 29
e-mail : export@kimo.fr