

## Temperature transmitter with direct connection on terminal block

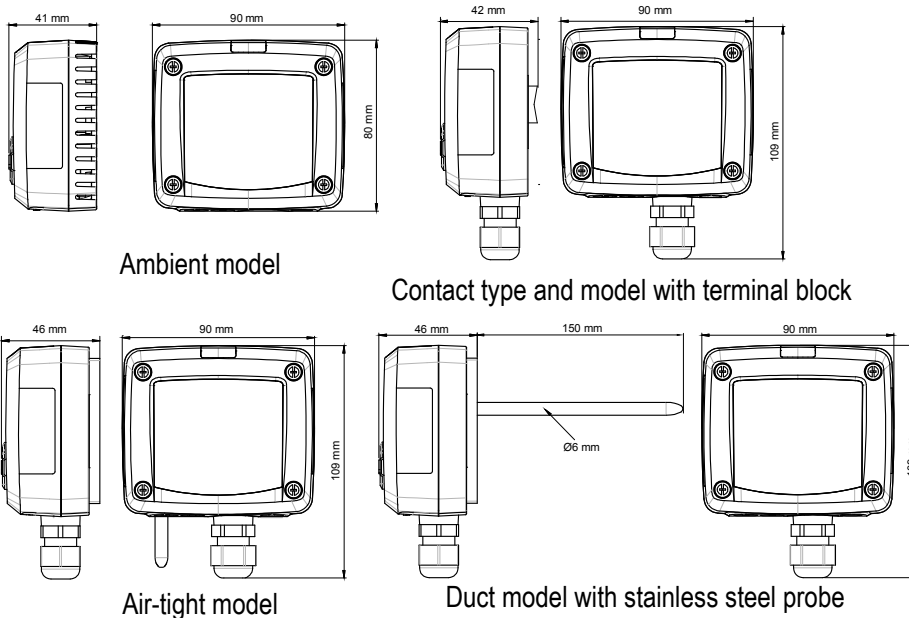
### TM 55

#### KEY POINTS

- Transmitter with stainless steel contact tip (according to model)
- Measuring range from -20 to +80°C or from -100 to +400°C (according to model)
- Connection on terminal block, 2, 3 or 4-wire output
- ABS housing IP65 or IP20 protection
- “¼ turn” system mounting with wall-mount plate
- Housing with simplified mounting system
- Choice of sensitive element



#### FEATURES OF THE HOUSING



**Material :** ABS V0 as per UL94

**Protection rating :** IP20 (ambient), IP65 (duct, air-tight, contact and terminal block models)

**Cable gland :** for cables Ø8 mm maximum

**Weight :** 143 g

**Operating temperature :** from -20 to +80°C

**Storage temperature :** from -20 to +80°C

#### TECHNICAL FEATURES

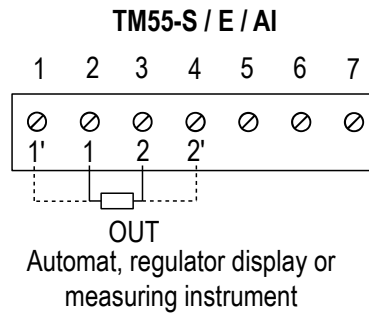
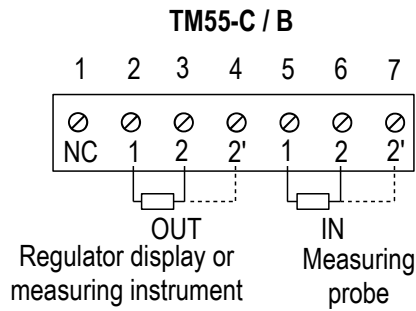
<b>Measuring range</b>	From -20 to +80°C (ambient, air-tight, duct and contact models) From -100 to +400°C (model with terminal block)
<b>Accuracy*</b>	According to sensitive element
<b>Class of sensor</b>	To define
<b>Contact tip (duct and air-tight model)</b>	Stainless steel 316L, without welding from 3/4 to 4/4 hard
<b>Environment</b>	Neutral air and gas

\*All the accuracies indicated in this technical datasheet were stated in laboratory conditions, and can be guaranteed for measurements carried out in the same conditions, or carried out with calibration compensation.

#### PART NUMBER

- **TM55-S :** Ambient temperature transmitter type TM50-S. ABS wall housing. 2, 3 or 4-wire output.
- **TM55-E :** Air-tight temperature transmitter type TM50-E. ABS wall housing. 2, 3 or 4-wire output.
- **TM55-AI :** Duct mount temperature transmitter type TM50-AI. ABS wall housing with stainless steel contact tip 6 mm diameter and 150 mm length. 2, 3 or 4-wire output.
- **TM55-C :** Contact temperature transmitter type TM50-C. ABS wall housing. 2 / 3-wire output.
- **TM55-B :** Temperature transmitter with terminal block type TM50-B. ABS wall housing. 2 / 3-wire input. 2 / 3-wire output.

## CONNECTIONS



## MOUNTING

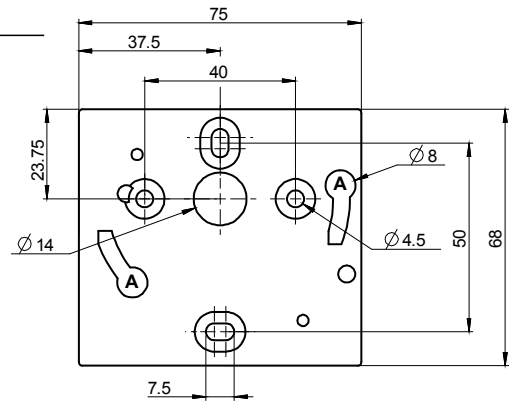
To mount the transmitter, mount the ABS plate on the wall (drilling  $\varnothing 6$  mm, screws and wall plugs are supplied). Insert the transmitter on the fixing plate (see A on the drawing beside) by tilting it of  $30^\circ$ . Rotate the housing in clockwise direction until you hear a "click" which confirms that the transmitter is correctly installed.



**Ambient model has not any fixing plate.**

**4 fixing holes are inside the back housing. Use them to install the transmitter on the required location.**

**The contact model is fixed with 2 mounting brackets supplied with the transmitter.**



## MAINTENANCE

Please avoid every aggressive solvent. Please protect the transmitter and its probes from any cleaning product containing formalin, that may be used for cleaning rooms of ducts.

## OPTIONS AND ACCESSORIES

- Pt1000 / Pt100 / NTC temperature probes



Once returned to KIMO, required waste collection will be assured in the respect of the environment in accordance with European guidelines relating to WEEE.

[www.kimo.fr](http://www.kimo.fr)

Distributed by :



EXPORT DEPARTMENT

Tel : + 33. 1. 60. 06. 69. 25 - Fax : + 33. 1. 60. 06. 69. 29

e-mail : [export@kimo.fr](mailto:export@kimo.fr)