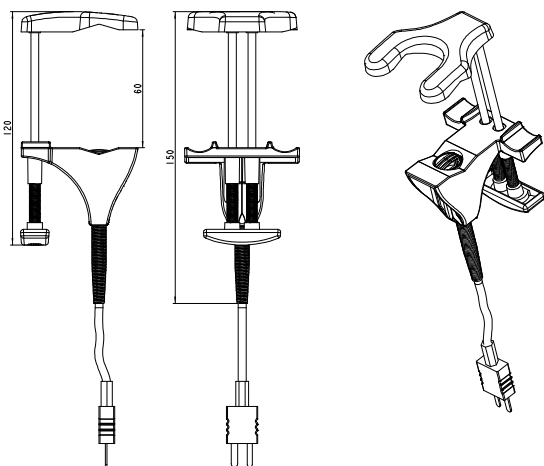


## K thermocouple temperature probe with lamella contact and spring for pipes

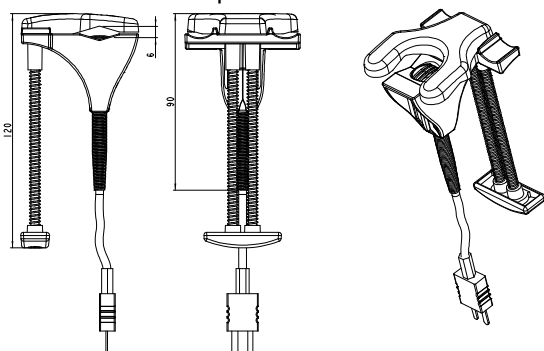
### SKCT

#### DIMENSIONS

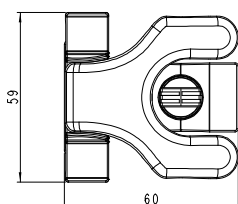
##### • Opened probe



##### • Closed probe



##### • On the top



#### PROBE FEATURES

- Thermocouple type K class 1
- Measuring range from **-50 °C to +150 °C**
- Very fast response time

#### TECHNICAL FEATURES

Operating temperature	From -50 °C to +250 °C
Accuracy	± 1.5 °C
Pipes diameter	From 10 to 50 mm
Storage temperature	From -20 °C to +80 °C
Spring clip	PA 6.6 + 30% glass silk, from -40 °C to +85 °C
Output	By straight cable, 2 m length Male miniature connector (standard)
Operating temperature for cable (PVC)	120 °C

#### APPLICATION

- With **TK100** portable instrument



Distributed by :

[www.kimo.fr](http://www.kimo.fr)