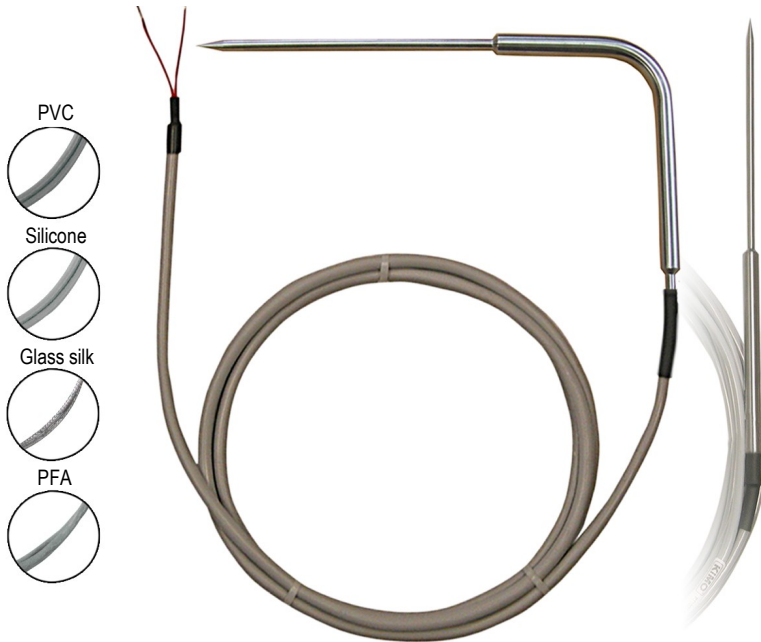


Temperature probe with needle ended tip at resistive element **Type SFPP 50**



**SFPP 50 - SFPPD 50 /
SFPPC 50 - SFPPCD 50**

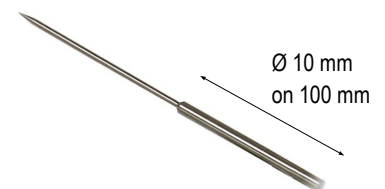
PROBE FEATURES

- Penetration temperature probe mounted on straight or angled handle.
- Measuring range (according to cable):
From -50 °C to +400 °C (PT100 et PT1000).
From -20 °C to +120 °C (NTC).
- **2 wires output (SFPP, SFPPC) or
4 wires output (SFPPD, SFPPCD) for NTC and PT1000**
- **3 - 4 wires output (SFPP, SFPPC) or
6 wires output (SFPPD, SFPPCD) for PT100.**
- For other resistance types PT25, PT50, PT500, PT200 or NI, please contact us.

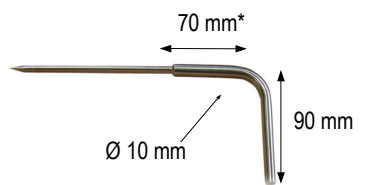
TRANSMITTER FEATURES

Working temperature (According to cable)	From -50 °C to +400 °C (PT100 and PT1000) From -20 °C to +120 °C (NTC)
Accuracy *	PT100 or PT1000: see "Tolerances" table NTC: see "Tolerances" table
Sensor type	PT100 or PT1000: class B, class A, 1/3 DIN as per DIN IEC751 NTC: resistance at 25 °C, $R_{25} = 10 \text{ K}\Omega$ Nominal Beta value $B_{25/85} = 3.695 \text{ K} \pm 1\%$
Storage temperature	From -20 °C to +80 °C
Working temperature of the cable	Shielded PVC: from -40 °C to +120 °C Silicone: from -50 °C to +180 °C Shielded PFA: from -50 °C to +260 °C Glass silk with stainless steel sheet: from -50 °C to +400 °C
Mounting of output cable	Cable or stainless steel flexible 7 mm Ø output. Waterproof flexible optional on demand Curve spring optional (except stainless steel flexible output)
Contact tip	4.5 or 6 mm Ø in 316 L stainless steel Needle ended tip Handle: Straight 10 mm Ø length 100 mm Angled at 90° length 90 mm Other on request.

Straight handle



Angled handle



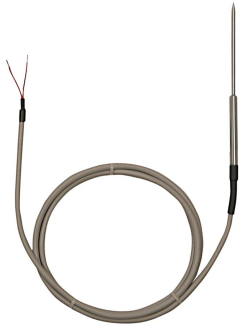
*L1 minimum length: 50 mm

Tightness is optional for use in wet or submerged places

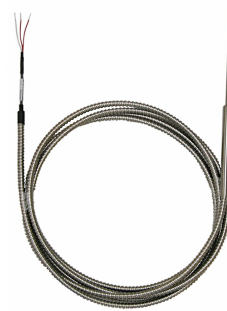
SFPP 50 & SFPPD 50

Tapping probe with cable and handle
in simple pair or multipair assembly

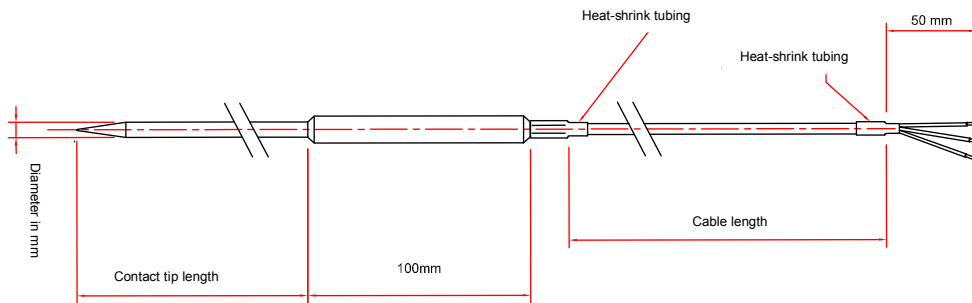
Straight handle probe on cable



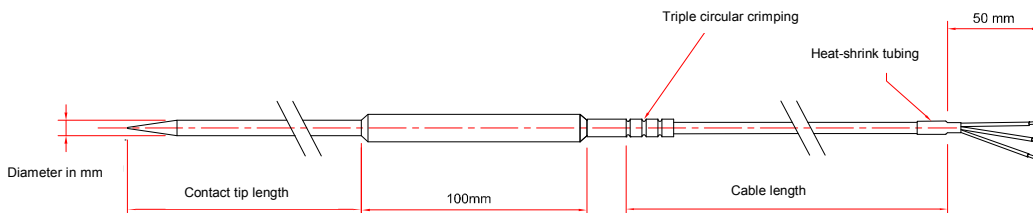
Straight handle probe on flexible



PROBE DIMENSIONS



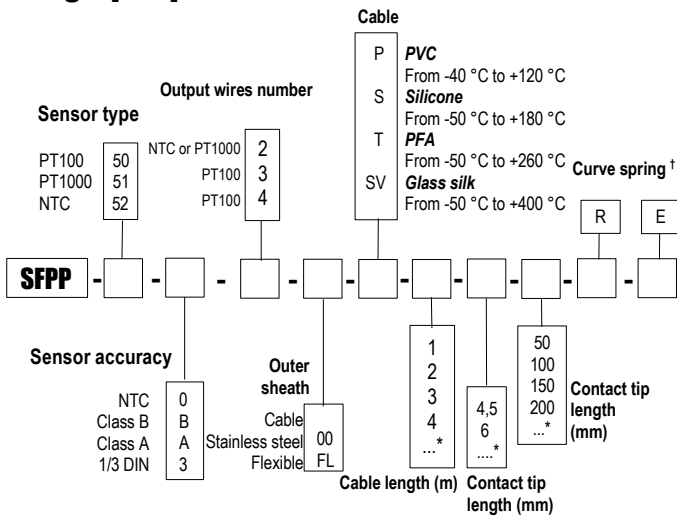
Optional :
waterproof



PART NUMBERS

Straight handle probes are available with **simple pair or multipair electrical assembly** :

Single pair probe – Ref. SFPP 50

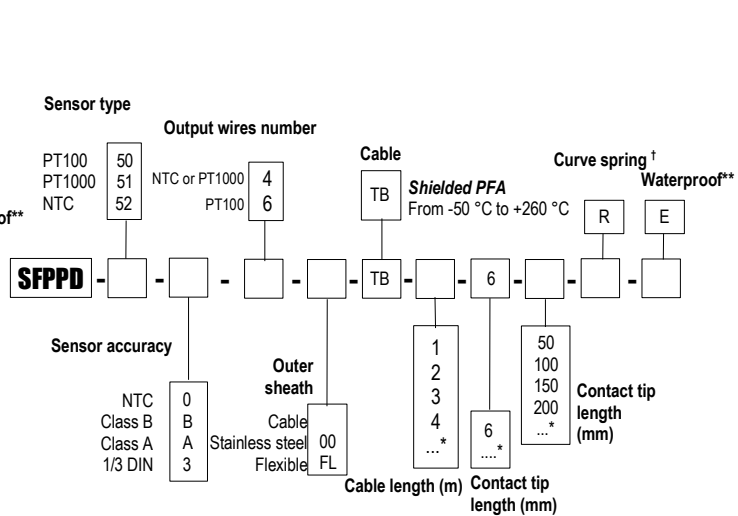


* Other length available on request
† No curve spring on flexible outlet (FL)
** E for submerged use in compliance with rules of use

Example: SFPP51-B-2-00-P-1-45-100

Model: PT1000 temperature probe Class B, 2 wires, outer sheath in PVC cable of 1m length. Stainless steel contact tip Ø 4.5 mm tapping with right handle, length 100 mm, without curve spring. **Measuring range from -40 to +120 °C.**

Multipair Probe – Ref. SFPPD 50



* Other length available on request
† No curve spring on flexible outlet (FL)
** E for submerged use in compliance with rules of use

Example: SFPPD51-B-4-00-TB-1-6-100

Model: PT1000 temperature probe, Class B, 4 wires multipair mounting, outer sheath in shielded cable PFA of 1m length. Stainless steel contact tip 6 mm Ø tapping with right handle, length 100 mm, without curve spring. **Measuring range from -50 to +260 °C.**

SFPPC 50 & SFPPCD 50

Angled handle tapping probe with cable
in simple pair or multipair assembly

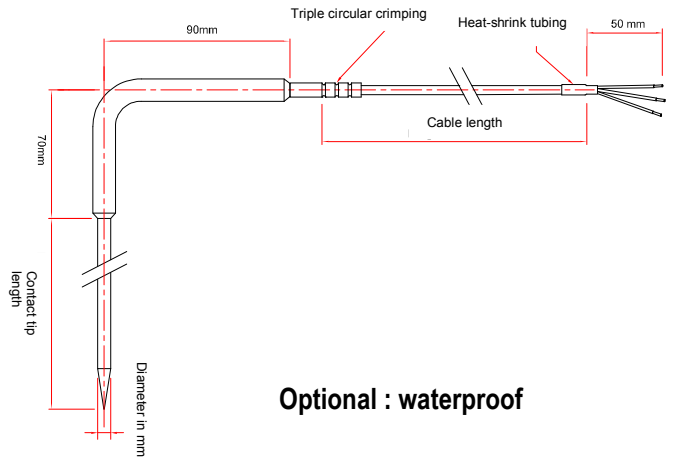
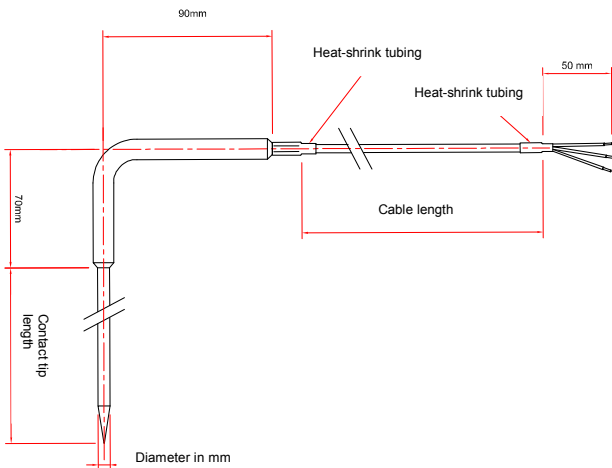
Angled handle probe on cable



Angled handle probe on flexible



PROBE DIMENSIONS

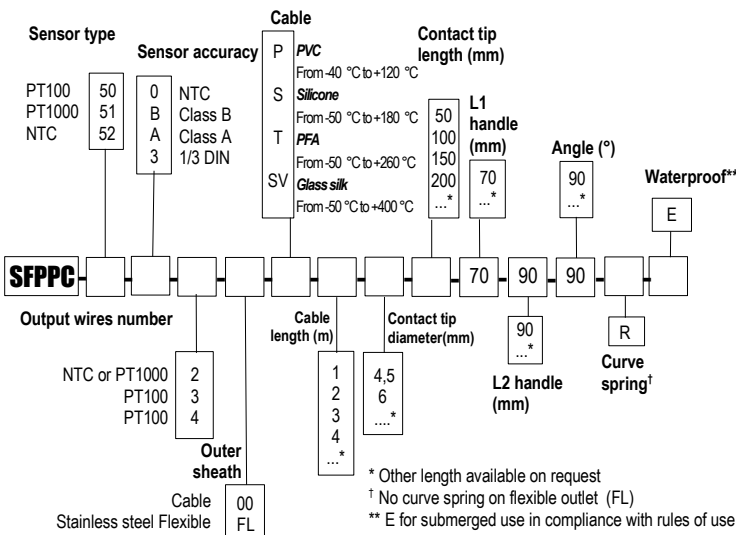


Optional : waterproof

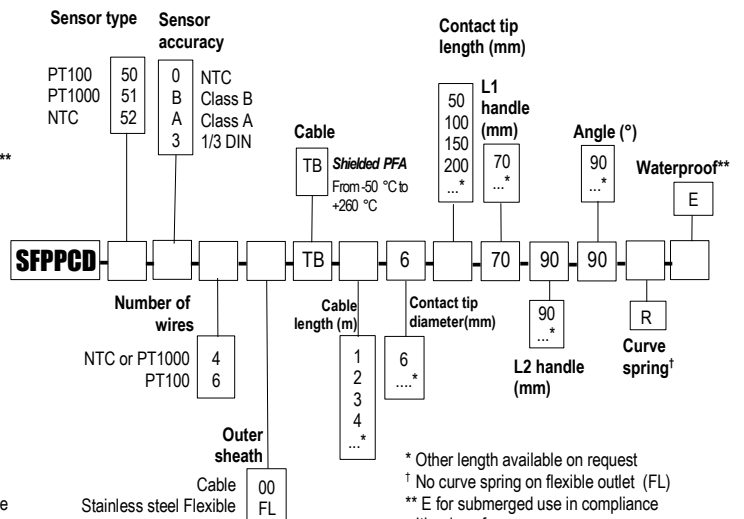
PART NUMBERS

Angled handle probes are available with **simple pair or multipair electrical assembly** :

Single pair probe – Ref. SFPPC 50



Multipair Probe – Ref. SFPPCD 50



Example: SFPPC51-B-2-00-P-1-45-100-70-90-90

Model: PT1000 temperature probe Class B, 2 wires, outer sheath in PVC cable of 1 m length. Stainless steel contact tip Ø 4.5 mm tapping with angled handle, L1 length 70 mm and L2 length 90 mm, angled handle of 90°, without curve spring.
Measuring range from -40 to +120 °C.

Example: SFPPCD51-B-4-00-TB-1-6-100-70-90-90

Model: PT1000 temperature probe, Class B, 4 wires, outer sheath in cable shielded PFA of 1 m length. Stainless steel contact tip Ø 6 mm tapping with angled handle of L1 length of 70 mm and L2 length of 90 mm, angled handle of 90°, without curve spring.
Measuring range from -50 to +260 °C.

TOLERANCE OF PT100 AND PT1000 PROBES

Norm as per IEC 751 (1993).

Temp °C	Tolerances					
	Class B		Class A		1/3 DIN	
	± °C	± Ohms	± °C	± Ohms	± °C	± Ohms
-100	0.8	0.32	0.35	0.14	0.27	0.11
-50	0.55	0.22	0.25	0.1	0.19	0.08
0	0.3	0.12	0.15	0.06	0.1	0.04
100	0.8	0.3	0.35	0.13	0.27	0.1
200	1.3	0.48	0.55	0.2	0.44	0.16
300	1.8	0.64	0.75	0.27	0.6	0.21
400	2.3	0.79	0.95	0.33	0.77	0.26

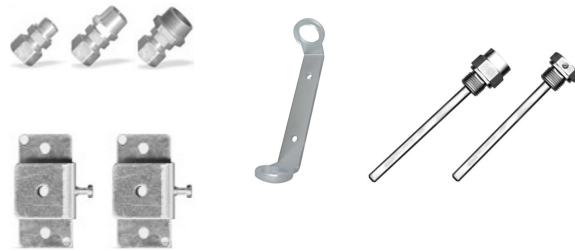
*all accuracies indicated in this technical data sheet were stated in laboratory conditions, and can be guaranteed for measurements carried out in the same conditions, or carried out with calibration compensation.

TOLERANCES OF NTC PROBES

Measuring range °C	Tolerances °C
From -20 °C to 0 °C	± 0.5 °C
From 0 °C to +70 °C	± 0.2 °C
From +70 °C to +100 °C	± 0.5 °C

ACCESSORIES (SEE DATASHEET)

- Transmitter output 4/20 mA or 0/10 V
- Wall fixing support
- Stainless steel mounting brackets
- 1/4 " or 1/2" Gas screw nut
- Compression fitting
- PTFE or stainless steel ferrule for compression fittings
- Fastening coupling for food industry
- Stainless steel union fitting
- 1/2" Gas or NPT thread cuff
- Thermo-conducting silicone grease
- Calibration certificate
- Thermowell



www.kimo.fr

Distributed by :



EXPORT DEPARTMENT

Tel : + 33. 1. 60. 06. 69. 25 - Fax : + 33. 1. 60. 06. 69. 29

e-mail : export@kimo.fr