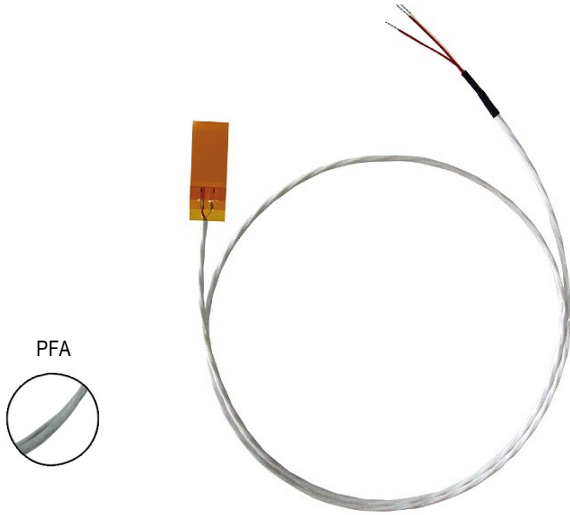


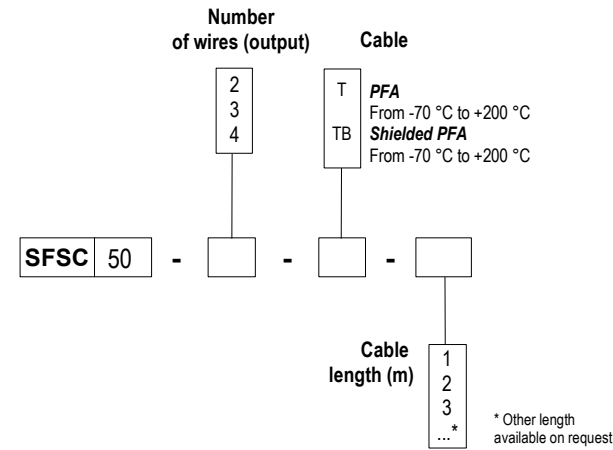
Probe with self adhesive patch

SFSC 50

- Probe with thin and flexible laminar resistance.
- Enables good response times.
- Measuring range: **from -70 °C to +200 °C**



PART NUMBERS



TRANSMITTER FEATURES

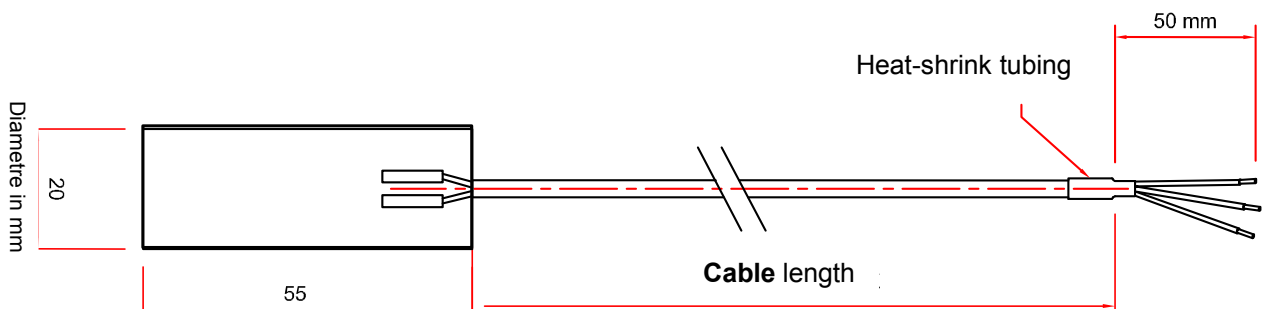
Operating temperature	From -70 °C to +200 °C
Accuracy *	± (0.15 °C + 0.002 Itl) thus ± 0.15 °C at 0 °C and ± 0.35 °C at 100 °C
Sensor type	PT100 Class A Single pair as per IEC751
Dimensions	50 x 20 mm and 0.3 mm depth
Insulation	Polyimide
Cable	T: PFA 2 or 3 conductors TB: Shielded PFA 2, 3 or 4 conductors
Storage temperature	From -20 °C to +80 °C

Example: SFSC50-3-T-4

Model: Pt 100 temperature sensor, Class A, 3 wires, PFA cable of 4 m length. **Measuring range from -70 to +200 °C.**

*all accuracies indicated in this technical datasheet were stated in laboratory conditions, and can be guaranteed for measurements carried out in the same conditions, or carried out with calibration compensation.

PROBE DIMENSIONS



TOLERANCE OF PT100 AND PT1000 PROBES

Norm as per IEC 751 (1993).

Temp °C	Tolerances					
	Class B		Class A		1/3 DIN	
	± °C	± Ohms	± °C	± Ohms	± °C	± Ohms
-100	0.8	0.32	0.35	0.14	0.27	0.11
-50	0.55	0.22	0.25	0.1	0.19	0.08
0	0.3	0.12	0.15	0.06	0.1	0.04
100	0.8	0.3	0.35	0.13	0.27	0.1
200	1.3	0.48	0.55	0.2	0.44	0.16
300	1.8	0.64	0.75	0.27	0.6	0.21
400	2.3	0.79	0.95	0.33	0.77	0.26

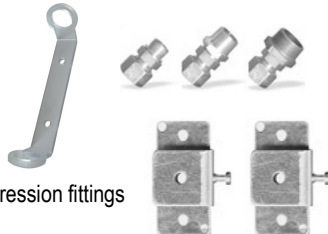
Resistance values for PT1000 (Ω) must be multiplied by 10 for the same corresponding temperature value (°C). I.e: at 0 °C for Class B PT1000 ± 0.3 °C → ± 1.2 Ω

TOLERANCES OF NTC PROBES

Measuring range °C	Tolerances °C
From -20 °C to 0 °C	± 0.5 °C
From 0 °C to +70 °C	± 0.2 °C
From +70 °C to +100 °C	± 0.5 °C

ACCESSORIES (SEE DATASHEET)

- Transmitter output 4/20 mA or 0/10 V
- Wall mounting support
- Stainless steel mounting brackets
- ¼" or ½" Gas screw nut
- Stainless steel compression fitting
- PTFE or stainless steel ferrule for compression fittings



- Sleeve to weld for food industry
- Stainless steel junction fitting
- ½" Gas or NPT thread cuff
- Thermo-conducting silicone grease
- Calibration certificate
- Thermowell



Transparent silicone glue

For watertightness and sticking.
Ready to use. Moisture cured.
Flexible at high and low temperature.
UV and time resistant.
Tube of 90 ml.

- Part number: KI - TCS



www.kimo.fr

Distributed by :



EXPORT DEPARTMENT

Tel : + 33. 1. 60. 06. 69. 25 - Fax : + 33. 1. 60. 06. 69. 29

e-mail : export@kimo.fr