



**RTD sensor with cable
for very low temperature**

SFBT 50 / SFBTD 50

TECHNICAL FEATURES

Working temperature	From -80 °C to +50 °C (PT100 and PT1000)
Accuracy *	PT100 or PT1000: see "Tolerances" table
Type of sensor	PT100: Class B, Class A. PT1000: Class B only.
Storage temperature	From -20 °C to +80 °C
Working temperature of the cable	PFA: from -50 °C to +260 °C
Mounting	4 mm Ø probe for 2 or 3 wires only 6 wires mounting from 6 mm Ø.
Sheath	316 L stainless steel, watertight crimping. Curve spring as option.

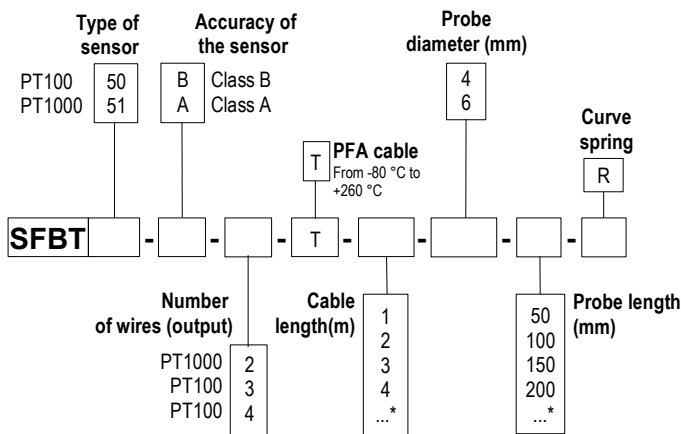
PROBE FEATURES

- Stainless steel temperature probes with conductive cable.
- Measuring range (according to cable):
From -80 °C to +50 °C (PT100 and PT1000)
- 2 wires (SFBT) or 4 wires (SFBTD) for PT1000
- 3 - 4 wires (SFBT) or 6 wires (SFBTD) for PT100.

*All the accuracies indicated in this technical datasheet were stated in laboratories conditions, and can be guaranteed for measurements carried out in the same conditions, or carried out with calibration compensation.

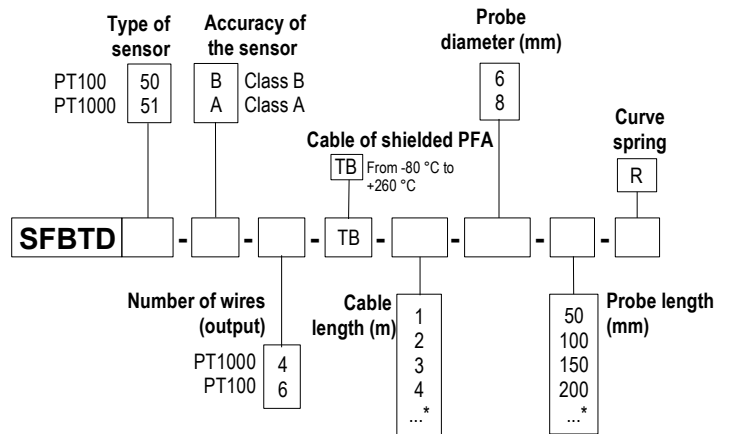
PART NUMBERS

• **SFBT 50 - Single pair**



* Other lengths available on request

• **SFBTD 50 - Multipair**



* Other lengths available on request

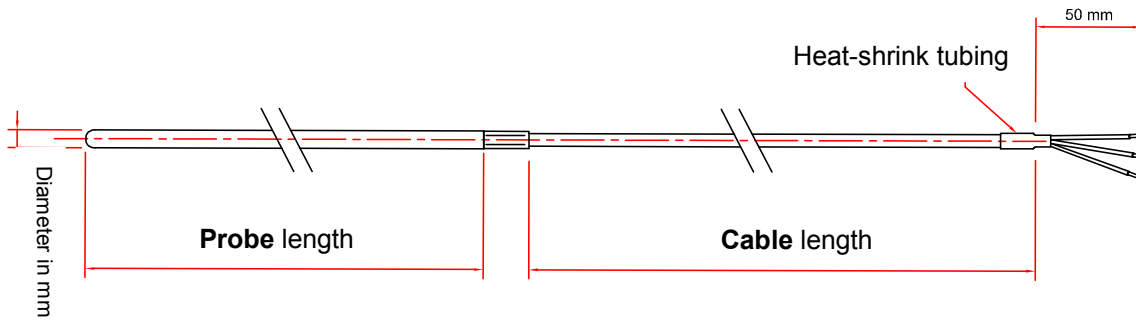
Example: SFBT51-B-2-T-1-4-100-12

Model: Temperature probe PT1000 Class B, 2 wires, PFA cable of 1 m length.
Stainless steel protective sheath 4 mm Ø, length 100 mm, without curve spring.
Measuring range from -80 to +50 °C.

Example: SFBTD51-B-4-TB-1-6-100

Model: Temperature probe PT1000 Classe B, 4 wires, cable of 1m length in shielded PFA. Stainless steel protective sheath 6 mm Ø, length 100 mm, without curve spring.
Measuring range from -80 to +50 °C.

DIMENSIONS



TOLERANCE OF PT100 AND PT1000 PROBES

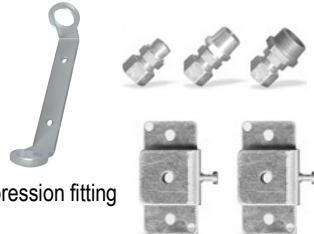
Norm as per IEC 751 (1993).

Temp °C	Tolerances			
	Class B		Class A	
	± °C	± Ohms	± °C	± Ohms
-100	0.8	0.32	0.35	0.14
-50	0.55	0.22	0.25	0.1
0	0.3	0.12	0.15	0.06
100	0.8	0.3	0.35	0.13
200	1.3	0.48	0.55	0.2
300	1.8	0.64	0.75	0.27
400	2.3	0.79	0.95	0.33

Resistance values for PT1000 (Ω) must be multiplied by 10 for the same corresponding temperature value (°C). I.e: at 0 °C for Class B PT1000 ± 0.3 °C → ± 1.2 Ω

ACCESSORIES (SEE DATASHEET)

- Transmitter output 4/20 mA or 0/10 V
- Wall fixing support
- Stainless steel mounting brackets
- ¼" or ½" Gas screw nut
- Stainless steel sliding connection
- PTFE or stainless steel ferrule for compression fitting



- Sleeve to weld for food industry
- Stainless steel union fitting
- ½" Gas or NPT thread cuff
- Thermo-conducting silicone grease
- Calibration certificate
- Thermowell



www.kimo.fr

Distributed by :



EXPORT DEPARTMENT

Tel : + 33. 1. 60. 06. 69. 25 - Fax : + 33. 1. 60. 06. 69. 29

e-mail : export@kimo.fr